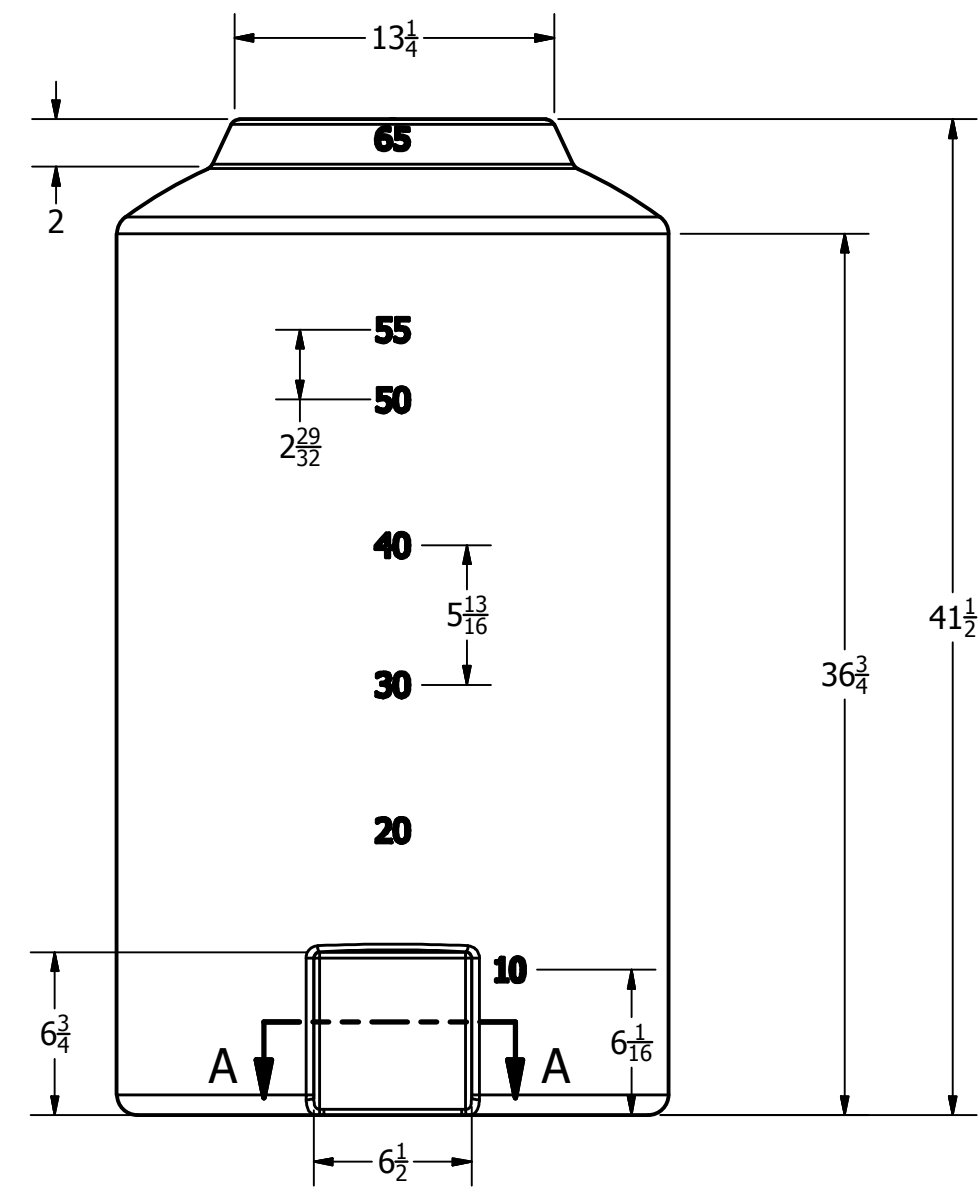
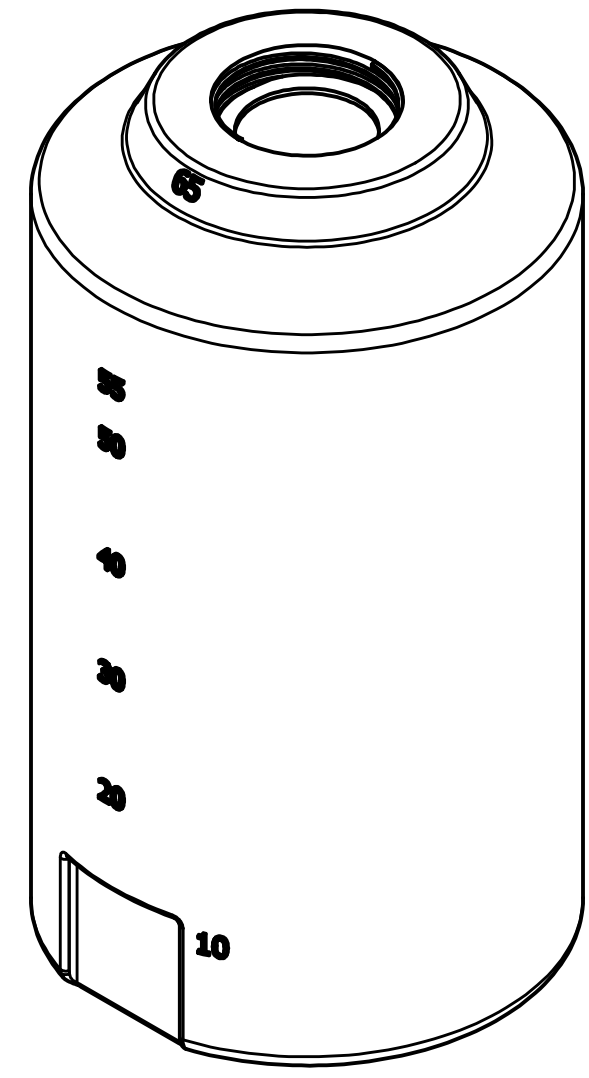



SECTION A-A  
SCALE 1:4



REVISION HISTORY			
REV	DESCRIPTION	DATE	AUTHOR
A	REVISED & REDRAWN	8/31/1995	
B	REDRAWN	7/1/2013	Michael Holden
DRAWN Jerry Paulson		8/31/1995	 NORWESCO, INC. SAINT BONIFACIUS, MN TITLE <b>65 GALLON VERTICAL STORAGE TANK</b>
CHECKED			
QA			
MFG			
APPROVED			
SIZE <b>B</b>		DWG NO	REV <b>B</b>
SCALE: 1/16		SHEET 1 OF 1	